



Acme Sanitary Ware Co Ltd

Acme Building, 22-28 Nanking Street, Kowloon, Hong Kong
 Tel: 2388 7171 Fax: 2710 8012
 E-mail: acme@acmesanitary.com.hk
 Website: www.acmesanitaryware.com.hk

ELKAY

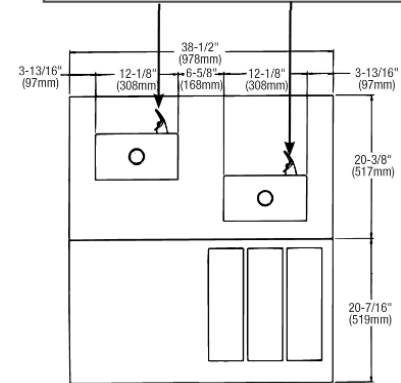
PROJECT		REF		REV	ITEM CODE	
LOCATION		DATE			PAGE	

SANITARY WARE SPECIFICATION SHEET

Item Descriptions	ELKAY (USA) "Soft Sides" Stainless Steel wall mount 2 level barrier-free type drinking fountain	
Model	ERFPM282K	
Finish	Stainless Steel	
Manufacturer	ELKAY (USA)	
Supplier	Acme Sanitary Ware Co. Ltd Mr. Eric Wong/ Mr. Don Yuen	
Contact Tel/Fax E-mail Website	(852) 2388-7171 / (852) 2710-8012 acme@acmesanitary.com.hk www.acmesanitary.com.hk	

POWER	220V/50Hz
FINISH	Stainless Steel
CHILLING CAPACITY	30.0 LPH
BUBBLER STYLE	Flexi-Guard Safety Bubbler
MOUNTING	Wall Mount (Inwall Frame/Plate)
COMPLIANCE	<ul style="list-style-type: none"> • ADA & ICC A117.1 • ASME A112.19.3/CSA B45.4 • Buy American Act • CAN/CSA C22.2 No. 120 • NSF 372 (lead free) • NSF 61 • UL 399
PRODUCT DIMENSIONS	L: 978mm W: 473mm H: 1037mm
SHIPPING DIMENSIONS	L: 1060mm W: 956mm H: 1149mm
APPROXIMATE SHIPPING WEIGHT	59 kg
INSTALLATION LOCATION	Indoor
BUILT IN USA ADA COMPLIANT	

- Flexi-Guard® Bubbler (standard)**
- Vandal-Resistant Bubbler (optional)**



INCLUDES

- FOUNTAIN**
- MOUNTING FRAME (MF200)**
- CHILLER**

* All information of the above is for the reference only. No prior notice is made if any changes.



PROJECT		REF		REV	ITEM CODE	
LOCATION		DATE			PAGE	

No Lead Two-Level Soft Sides® Water Cooler Wall Mount Barrier-Free Access

MODEL ERFPM282K

IMPORTANT! INSTALLER PLEASE NOTE:

The grounding of electrical equipment such as telephone, computers, etc., to water lines is a common procedure. This grounding may be in the building or may occur away from the building. This grounding can cause electrical feedback into a water cooler, creating an electrolysis which causes a metallic taste or an increase in the metal content of the water. This condition is avoidable by using the proper materials as indicated below.

The drain fittings which are provided by the installer should also be plastic to electrically isolate the cooler from the building plumbing system.

ERFPM28K MOUNTING FRAME INSTRUCTIONS

Cut a square rectangular wall opening 37-1/2" (953mm) W x 37-3/4" (959mm) H and 4-1/2" (114mm) above the floor line. These dimensions are required to obtain proper rim and bubbler heights for compliance with ANSI standard A117.1. (See Figure 2)

Reinforce the wall opening on all sides so that it will adequately support the water fountain. This reinforcement must support up to 150 lbs static load and provide a means for securing the frame assembly in place.

NOTE: Building construction must allow for adequate air flow on both sides and top of remote chiller unit. Minimum of 4" (102mm) is required. (See Figures 1 & 2)

Install plumbing and electrical rough-ins. See Figure 1 for location of the supply water inlet to chiller and for the location of the waste water outlet. A junction box for a (3) wire, 10 amp branch circuit is provided on the inside of the chiller. (Standard 220 Volts, 50 Hz and single phase) See Figure 2 for the electrical inlet location.

Remove frame assembly and related hardware from packaging. Attach the two frames together thru the upright supports with (4) 5/16" x 3/4" (19mm) long bolts and nuts (provided). Tighten securely.

NOTE: Frame with higher upper channel to be on left side.

Install the frame assembly squarely in wall opening with frame upright support edges flush with the finished wall face. Secure the frame to the wall thru holes with (12) 5/16" x 2" (51mm) long lag bolts or screws (not provided). Tighten securely.

NOTE: Be sure that frame is squared in location. Do not use less than required screw quantity and size.

Attach the chiller shelf support rods to the right side frame uprights at the second set of holes counting from the bottom and to the shelf at the (2) side holes. Line up the other shelf holes with the frame bottom holes and fasten the assembly to the wall using appropriately sized wood screws or bolts and nuts (not provided). (See Figure 2)

自願參與用水效益標籤計劃 - 水龍頭

3.5 本計劃的條文適用於安裝在浴室／廁所內洗臉盆和茶水房／廚房內洗滌槽的冷熱水混合（混合式）或非混合式的水龍頭。配有自動感應開／關器或自動關閉閥的水龍頭亦納入本計劃內。然而，安裝在浴缸／花灑、任何系統、機器及裝置例如灌溉系統、洗衣機、飲水機等的水龍頭因屬沐浴／操作的用途而不包括在本計劃內。



https://www.wsd.gov.hk/filemanager/tc/content_1511/scheme_document_water_taps.pdf

Note

* All information of the above is for the reference only. No prior notice is made if any changes.

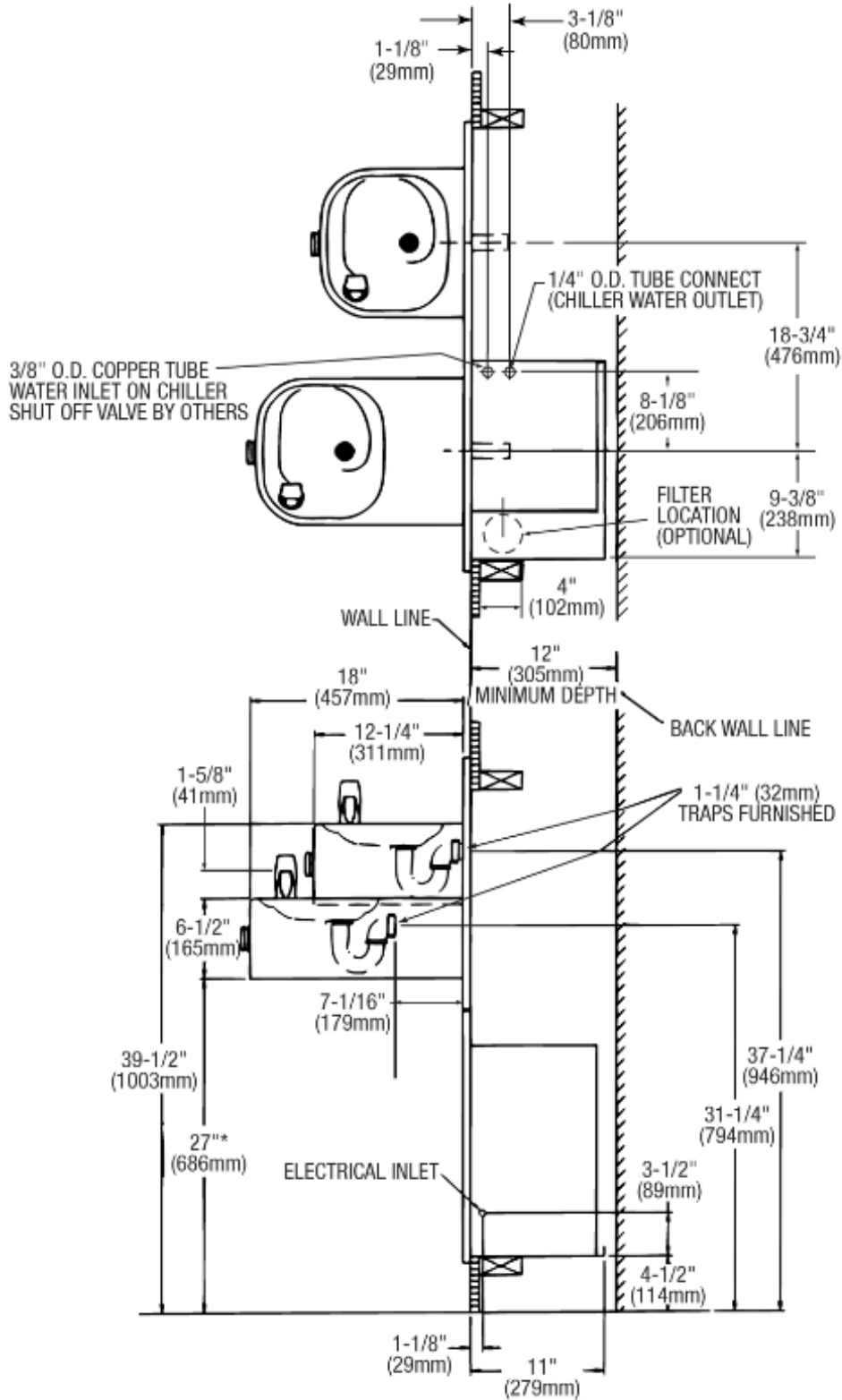


Acme Sanitary Ware Co Ltd

Acme Building, 22-28 Nanking Street, Kowloon, Hong Kong
Tel: 2388 7171 Fax: 2710 8012
E-mail: acme@acmesanitary.com.hk
Website: www.acmesanitaryware.com.hk

ELKAY

PROJECT		REF		REV	ITEM CODE	
LOCATION		DATE			PAGE	



Note

* All information of the above is for the reference only. No prior notice is made if any changes.



Acme Sanitary Ware Co Ltd

Acme Building, 22-28 Nanking Street, Kowloon, Hong Kong
 Tel: 2388 7171 Fax: 2710 8012
 E-mail: acme@acmesanitary.com.hk
 Website: www.acmesanitaryware.com.hk

ELKAY

PROJECT		REF		REV	ITEM CODE	
LOCATION		DATE			PAGE	

GENERAL

Two-level barrier-free stainless steel water cooler has recessed in-the-wall refrigeration system and stainless steel grill. All stainless steel polished to a satin finish.

Fountain has contoured basin to minimize splashing. Flexi-Guard® safety bubbler and easy to operate, fully functional, vandal-resistant front push button. Flow regulator provides constant stream from 20 to 105 psi wter pressure. Vandal resistant bottom cover plates included.

NOTE: Minimum 40 psi supply line pressure required in special circumstances where both sides of bi-level are in use simultaneously to ensure adequate stream height. Use of water filter in this situation is not recommended.

Energy efficient refrigeration system utilizes a combination tank continuous-tube type evaporator, refrigerant drier, and capillary tube.

THIS WATER COOLER COMPLIES WITH THE REQUIREMENTS OF A.D.A. (AMERICANS WITH DISABILITIES ACT) WHEN PROPERLY INSTALLED. UNIT IS COMPLIANT IF INSTALLED IN AN ALCOVE AND IS ALSO COMPLIANT WHEN MOUNTED ON AN EXPOSED WALL IF A WING WALL IS LOCATED ON THE LEFT SIDE OR IF A 97258C APRON IS INSTALLED UNDER THE UPPER UNIT.

NO LEAD DESIGN

THIS WATER COOLER COMPLIES WITH THE LEAD-FREE DEFINITION IN THE SAFE DRINKING WATER ACT OF 1986 AND LEAD CONTAMINATION CONTROL ACT OF 1988.

Elkay Water Coolers are manufactured with a waterway system utilizing copper components and completely lead-free material. These waterways have no lead because all lead materials, such as leaded brass, have been removed. All joints are brazed using silver solder only. No lead solder is permitted. A strainer with an easily cleanable screen is provided to allow trapping and convenient removal of water born particulate of 140 microns and larger prior to their entry into the water cooler.

CAPACITIES CHART

Model Number	Voltage	Rated Watts	Full Load Amps	Glass† Filler Option	Ship. Wt. Lbs.
ERFPM282K	220V / 50Hz	370	2.0	Yes	130

**Based on 80°F inlet water temperature.

†Glass filler available at extra cost. Requires factory preparation to receive glass filler. Order Model ERFPM28FK. Glass filler LK1110 or LK1114 sold separately.

Rated watts shown are based on operational (run) time, in compliance with ARI Standard 1010 conditions. Specific applications will determine the actual watts consumed per hour. Watts consumed will be based on number of people served per hour (usage), ambient temperatures, and inlet water temperature.

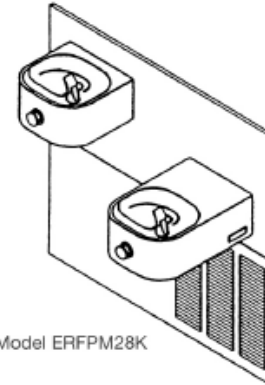
COOLING SYSTEM

Motor Compressor: Hermetically sealed, reciprocating type, single phase. Sealed in lifetime oil supply.

Condenser: Fan cooled, copper tube with aluminum fins. Fan motor is permanently lubricated.

Cooling Unit: Combination tube-tank type. Self cleansing. Tube portion is continuous coil of copper tubing. Tank is stainless steel. Fully insulated with EPS foam which meets Underwriters Laboratories Inc. requirements for self extinguishing material.

Temperature Control: Enclosed adjustable thermostat is factory preset. Requires no adjustment other than for altitude requirements.



Model ERFPM28K

Refrigerant Control: Refrigerant HFC-134a is controlled by accurately calibrated capillary tube for positively trouble free performance.

CONSTRUCTION

Fountain Body: #18 gauge, type 304 nickel bearing stainless steel polished to a lustrous satin finish with high shined outer edge. Contoured basin offers large strike area to minimize splashing. Fully functional front push buttons are easy to operate.

Exclusive Flexi-Guard® Safety Bubbler: Innovative design utilizes a pliable polyester elastomer to prevent accidental mouth injuries. Flexes on impact, then returns to original position. Strong. Abrasion-resistant. Anti-sweat. **Optional Vandal-Resistant Bubbler** available at extra cost. Heavy duty one-piece construction, chrome plated brass. Both bubblers meet UL requirements and all sanitary codes and are keyed in location to prevent rotation.

Front Panel Grill: Made of type 304 stainless steel, polished to a uniform Elkay satin finish. Removable louvered ventilating grille encloses refrigeration unit and plumbing.

Wall Mounting Frame: MF200 is included with model ERF-PM282K. Frame allows flush mounting finished wall.

Drain: LK464 drain and trap assembly included.

Elkay Pressure-Type Water Coolers are designed to operate on 20 psi to 105 psi supply line pressure. If inlet pressure is above 105 psi, a pressure regulator must be installed in the supply line. Any damage caused by reason of connecting this product to supply line pressures lower than 20 psi or higher than 105 psi is not covered by the warranty.

STANDARDS

Elkay Electric Air Cooled Water Coolers are listed by Underwriters Laboratories Inc. and comply with both Canadian and U.S. requirements.

These units comply with A.R.I. Standard 1010.

This cooler is certified by WQA to lead-free compliance including **NSF/ANSI 61 and 372.**

Note

* All information of the above is for the reference only. No prior notice is made if any changes.



Acme Sanitary Ware Co Ltd

Acme Building, 22-28 Nanking Street, Kowloon, Hong Kong
Tel: 2388 7171 Fax: 2710 8012
E-mail: acme@acmesanitary.com.hk
Website: www. acmesanitaryware.com.hk

PROJECT		REF		REV	ITEM CODE	
LOCATION		DATE			PAGE	

SANITARY WARE SPECIFICATION SHEET

MUV-60

MUV Series Specification



Maximum Capacity 最大流量		Lamp Energy Consumption UV光管用電量	Current Flow Rate 電流	Water Inlet / Outlet 出入口	Dimension 尺寸	Net Weight 淨重
L/s 升/秒	GPM 加侖/分鐘	Watt 瓦特	Ampere 安培	Inch 吋	mm 毫米	KG 公斤
0.06	1	8	0.15	3/8	280 (W) x 150 (D) x 360 (H) mm	7

產品備有：

- 1. 殺菌缸**
 - 以304不鏽鋼焊接為一組機身
- 2. 紫外光管效能**
 - 9,000 小時連續使用
- 3. 安全設備**
 - 內置安全關水閥及停電截水設備
- 4. 可後加額外功能**
 - BMS 開關接線
 - 高紫外光放射量設計
 - 高流量設計
 - 法蘭接口
 - 放射量UV錶

Features:

- 1. Sterilizing Chamber**
 - Constructed of 304 stainless steel and precision welded as a single unit.
- 2. Ultra-violet Lamps Durability**
 - 9,000 hours of continuous operation.
- 3. Safety Devices**
 - built-in safety shut-off solenoid valve and fail-safe deactivation system
- 4. Additional Features Available**
 - BMS relay contact
 - Ultra UV exposure
 - Ultra flow capacity
 - Flange connection
 - % Intensity UV meter



Operation Conditions:

- 1. Working Pressure**
recommended not to exceed 100 p.s.i.
- 2. Pressure Drop**
ranging from 2 – 5 p.s.i. depending on model.
- 3. Electricity Supply**
220 Volts 50 Hz for standard models.
- 4. Ultra-violet Exposure**
average exceeding 30,000 microwatt sec/cm2.

操作條件:

- 1. 工作壓力**
建議不可高於100 p.s.i.
- 2. 壓力降**
約2 – 5 p.s.i., 視乎個別型號。
- 3. 電源**
220 Volts 50 Hz
- 4. 紫外光放射量**
平均超過30,000 microwatt sec/cm2

* All information of the above is for the reference only. No prior notice is made if any changes.



Acme Sanitary Ware Co Ltd

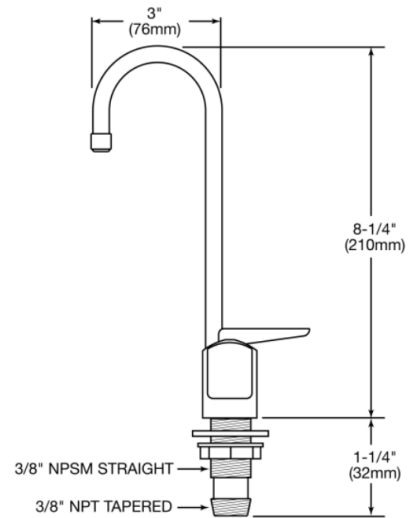
Acme Building, 22-28 Nanking Street, Kowloon, Hong Kong
 Tel: 2388 7171 Fax: 2710 8012
 E-mail: acme@acmesanitary.com.hk
 Website: www. acmesanitaryware.com.hk

PROJECT		REF		REV	ITEM CODE	
LOCATION		DATE			PAGE	

SANITARY WARE SPECIFICATION SHEET



Push Lever Glass Filler Model LK1110

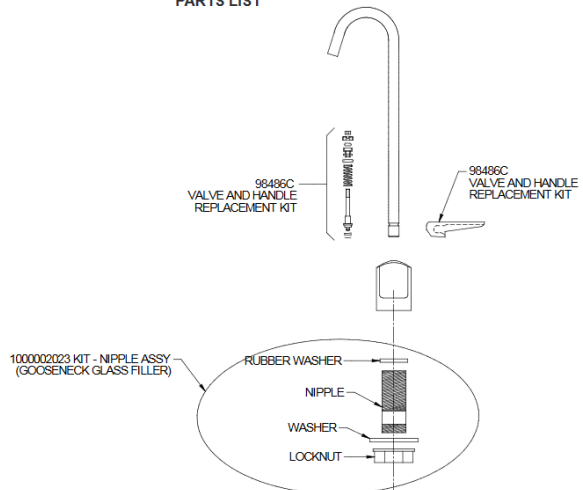


Accessory Type	Glass Fillers
Power	No Electrical Required
Dimensions	L: 3-1/2" W: 3-1/2" H: 12"
Application Type	Residential/Multi-Family
Shipping Dimensions	L: 12" W: 4" H: 4"
Approximate Shipping Weight (lbs)	1
Includes:	Glass filler
Made or Assembled USA	built
Family	Glass Fillers
ADA Compliance	NO
Code Compliance Accessories	NSF 372 (lead free) NSF 61
Special Note	Ordered separately with glass filler prepped models.

GENERAL

LK1110 single water gooseneck glass filler, manufactured with lead-free material, plastic push lever control, 9-1/2" (241mm) high overall, 3/8" NPT connection. Ship Wt.1 lb. Glass filler is certified to NSF 61 and 372.

PARTS LIST



* All information of the above is for the reference only. No prior notice is made if any changes.